

Hanger bolt

EDR



Advantages



- Hanger bolts have a wooden thread on one side and a metric thread on the other
- Suitable for fixing directly into wood or in combination with plugs into other base materials
- For easy installation with external hex and TX recess

Suitable building materials

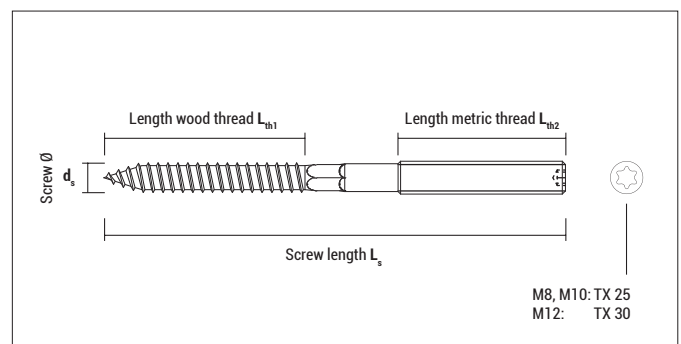
Very suitable





- Wood

- Nylon plugs

Mounting



EDR, zinc plated

Type $d_s \times L_s$	Art-No	d_s [mm]	L_s [mm]	L_{th1} [mm]	L_{th2} [mm]	€ / 100 pcs	 [pcs]	 [pcs]
M8 x 50	9850EDR	8	50	30	15		100	1.600
M8 x 60	9860EDR	8	60	30	20		100	1.600
M8 x 80	9880EDR	8	80	40	30		50	800
M8 x 100	98100EDR	8	100	45	40		50	800
M8 x 120	98120EDR	8	120	50	50		50	600
M10 x 80	91080EDR	10	80	40	30		50	800
M10 x 100	910100EDR	10	100	60	30		50	400
M10 x 120	910120EDR	10	120	60	40		50	300
M10 x 140	910140EDR	10	140	60	50		50	300
M12 x 125	912125EDR40	12	125	60	40		40	240