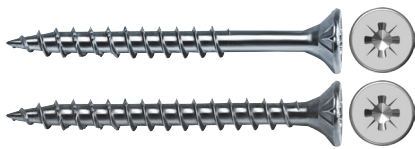


Chipboard screws

VELOX® Pozi



Advantages



VELOX® Pozi blue zinc plated, full and partial thread

- Underhead milling ribs and underhead milling pockets: perfect for wood and metal fittings because of flush fitting and fewer wood shavings on surface (for metal fittings: use screws with underhead milling pockets)
- Patented tip thread area reduces splitting as well as setting torque, which provides a perfect appearance and a longer battery life
- Approved product for your safety

Suitable building materials

Very suitable



- Wood



- Laminated/veneered wood

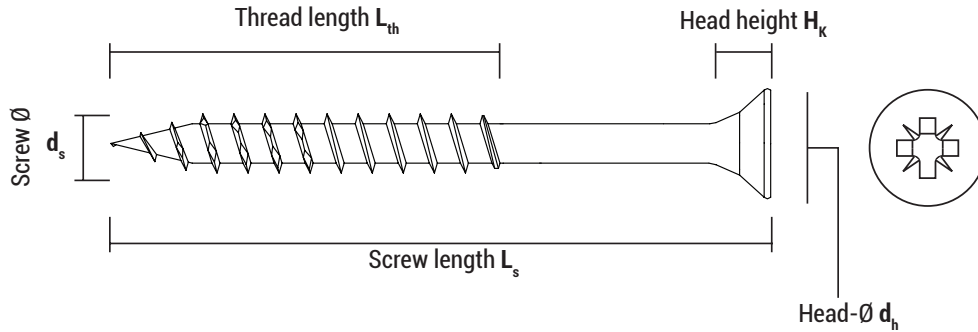
Suitable

- Nylon plugs

Approvals and certificates



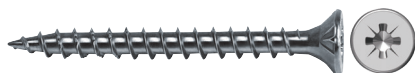
Chipboard screws VELOX® Pozi






VELOX® Pozi, blue zinc plated, partial thread

Type $d_s \times L_s / L_{th}$	Art-No	Thread length L_{th} [mm]	Head-Ø d_h [mm]	Head height H_k [mm]	PZ- Recess	ETA	€ / 100 pcs	[pcs]	[pcs]
3 x 35 / 20	9335VLOXP	20	6	1,8	PZ 1	●		1.000	5.000
3 x 40/25	9340VLOXP	25	6	1,8	PZ 1	●		500	6.000
3 x 45/25	9345VLOXP	25	6	1,8	PZ 1	●		500	4.000
Internal underhead milling pockets	3,5x40/25	93540VLOXP	25	7	2,0	PZ 2	●	500	4.000
	3,5x45/30	93545VLOXP	30	7	2,0	PZ 2	●	500	4.000
	3,5x50/30	93550VLOXP	30	7	2,0	PZ 2	●	500	3.000
	4 x 35/20	9435VLOXP	20	8	2,35	PZ 2	●	500	4.000
	4x40/25	9440VLOXP	25	8	2,35	PZ 2	●	500	4.000
	4x45/30	9445VLOXP	30	8	2,35	PZ 2	●	500	3.000
	4x50/30	9450VLOXP	30	8	2,35	PZ 2	●	500	3.000
	4x60/35	9460VLOXP	35	8	2,35	PZ 2	●	250	2.000
	4x70/40	9470VLOXP	40	8	2,35	PZ 2	●	200	1.200
	4,5x40/25	94540VLOXP	25	9	2,55	PZ 2	●	500	3.000
	4,5x45/30	94545VLOXP	30	9	2,55	PZ 2	●	250	2.000
	4,5x50/30	94550VLOXP	30	9	2,55	PZ 2	●	250	2.000
	4,5x60/35	94560VLOXP	35	9	2,55	PZ 2	●	250	1.000
	4,5x70/40	94570VLOXP	40	9	2,55	PZ 2	●	200	1.200
	4,5x80/50	94580VLOXP	50	9	2,55	PZ 2	●	100	600
	5x40/25	9540VLOXP	25	10	2,85	PZ 2	●	500	3.000
	5x45/30	9545VLOXP	30	10	2,85	PZ 2	●	250	2.000
	5x50/30	9550VLOXP	30	10	2,85	PZ 2	●	250	1.500
5x60/35	9560VLOXP	35	10	2,85	PZ 2	●	250	1.500	
5x70/40	9570VLOXP	40	10	2,85	PZ 2	●	200	1.200	
5x80/50	9580VLOXP	50	10	2,85	PZ 2	●	100	600	
5x90/60	9590VLOXP	60	10	2,85	PZ 2	●	100	600	
5x100/60	95100VLOXP	60	10	2,85	PZ 2	●	50	600	
External underhead milling ribs	6 x 50/30	9650VLOXP	30	12	3,85	PZ 3	●	250	1.500
	6 x 60/35	9660VLOXP	35	12	3,85	PZ 3	●	200	1.200
	6 x 70/40	9670VLOXP	40	12	3,85	PZ 3	●	100	800
	6 x 80/50	9680VLOXP	50	12	3,85	PZ 3	●	100	600

Chipboard screws VELOX® Pozi



VELOX® Pozi, blue zinc plated, full thread

Type $d_s \times L_s / L_{th}$	Art-No	Thread length L_{th} [mm]	Head-Ø d_h [mm]	Head height H_k [mm]	PZ- Recess		€ / 100 pcs	 [pcs]	 [pcs]
3 x 10	9310VLOX	V	6	1,8	PZ 1	–	1.000	24.000	
3 x 12	9312VLOX	V	6	1,8	PZ 1	–	1.000	24.000	
3 x 13 *	9313VLOX	V	6	1,8	PZ 1	–	1.000	32.000	
3 x 16	9316VLOX	V	6	1,8	PZ 1	–	1.000	12.000	
3 x 20	9320VLOX	V	6	1,8	PZ 1	●	1.000	12.000	
3 x 25	9325VLOX	V	6	1,8	PZ 1	●	1.000	12.000	
3 x 30	9330VLOX	V	6	1,8	PZ 1	●	1.000	6.000	
3 x 35	9335VLOX	V	6	1,8	PZ 1	●	1.000	5.000	
3,5 x 12	93512VLOX	V	7	2,0	PZ 2	–	1.000	24.000	
3,5 x 16	93516VLOX	V	7	2,0	PZ 2	–	1.000	12.000	
3,5 x 17 *	93517VLOX	V	7	2,0	PZ 2	–	1.000	12.000	
3,5 x 20	93520VLOX	V	7	2,0	PZ 2	●	1.000	12.000	
3,5 x 25	93525VLOX	V	7	2,0	PZ 2	●	1.000	12.000	
3,5 x 30	93530VLOX	V	7	2,0	PZ 2	●	1.000	8.000	
3,5 x 35	93535VLOX	V	7	2,0	PZ 2	●	500	6.000	
3,5 x 40	93540VLOX	V	7	2,0	PZ 2	●	500	4.000	
4 x 12	9412VLOX	V	8	2,35	PZ 2	–	1.000	12.000	
4 x 16	9416VLOX	V	8	2,35	PZ 2	–	1.000	12.000	
4 x 20	9420VLOX	V	8	2,35	PZ 2	–	1.000	12.000	
4 x 25	9425VLOX	V	8	2,35	PZ 2	●	1.000	8.000	
4 x 30	9430VLOX	V	8	2,35	PZ 2	●	500	6.000	
4 x 35	9435VLOX	V	8	2,35	PZ 2	●	500	4.000	
4 x 40	9440VLOX	V	8	2,35	PZ 2	●	500	4.000	
4 x 45	9445VLOX	V	8	2,35	PZ 2	●	500	3.000	
4 x 50	9450VLOX	V	8	2,35	PZ 2	●	500	3.000	
4,5 x 20	94520VLOX	V	9	2,55	PZ 2	–	500	6.000	
4,5 x 25	94525VLOX	V	9	2,55	PZ 2	–	500	6.000	
4,5 x 30	94530VLOX	V	9	2,55	PZ 2	●	500	6.000	
4,5 x 35	94535VLOX	V	9	2,55	PZ 2	●	500	4.000	
4,5 x 40	94540VLOX	V	9	2,55	PZ 2	●	500	3.000	
4,5 x 50	94550VLOX	V	9	2,55	PZ 2	●	250	2.000	
5 x 20	9520VLOX	V	10	2,85	PZ 2	–	500	6.000	
5 x 25	9525VLOX	V	10	2,85	PZ 2	–	500	6.000	
5 x 30	9530VLOX	V	10	2,85	PZ 2	●	250	3.000	
5 x 35	9535VLOX	V	10	2,85	PZ 2	●	250	3.000	
5 x 40	9540VLOX	V	10	2,85	PZ 2	●	500	3.000	
5 x 45	9545VLOX	V	10	2,85	PZ 2	●	250	2.000	
5 x 50	9550VLOX	V	10	2,85	PZ 2	●	250	1.500	
6 x 40	9640VLOX	V	12	3,85	PZ3	●	250	1.500	

* discontinued article, delivery while stocks last

V = full thread