

Plug FX



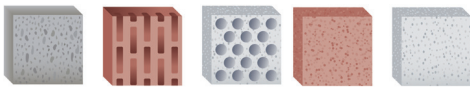
Advantages



- 4-side expansion for high pull out loads
- Compatible with different types of screws such as wood screws, chipboard screws, self-tapping screws, etc.
- Efficient anti-rotation lugs prevents rotation in the drill hole
- Plug collar prevents slipping into the drill hole
- High quality and ageing resistant nylon
- Temperature resistant from -40°C to +80°C

Suitable building materials

Very suitable



- Concrete
- Lightweight solid concrete blocks
- Solid brick
- Solid sand-lime brick
- Natural stone
- Aerated concrete
- Hollow brick
- Hollow sand-lime brick
- Lightweight hollow concrete blocks
- Gypsum blocks

Suitable to a limited extent

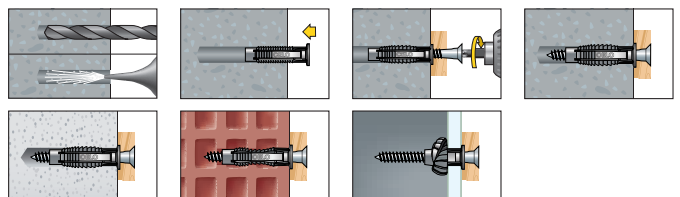


- Plasterboard/
Fibreboard
- Boards

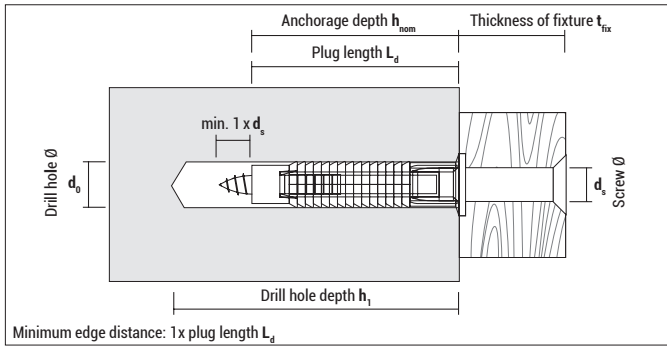
Approvals and certificates



Mounting



Plug FX



FX without screw

Type	Art-No	d_0 [mm]	$h_1 \geq$ [mm]	$h_{nom} \geq$ [mm]	L_d [mm]	d_s [mm]	€ / 100 pcs	[pcs]	[pcs]
FX 5	95FX	5	35	24	25	2,5 - 4		100	6.000
FX 6	96FX	6	40	29	30	3,5 - 5		100	6.000
FX 8	98FX	8	55	39	40	4,5 - 6		100	2.700
FX 10	910FX	10	70	49	50	6 - 8		50	1.350
FX 12	912FX	12	80	59	60	8 - 10		25	675



FX incl. PZ chipboard screw (FX6 and FX8) respectively hex-head wood screw (FX 10)

Type	Art-No	d_0 [mm]	$h_1 \geq$ [mm]	$h_{nom} \geq$ [mm]	L_d [mm]	$d_s \times L_s^1$ [mm]	€ / 100 pcs	[pcs]	[pcs]
FX 6 SPS	96FXSZ	6	40	29	30	4,5 x 45		50	3.000
FX 8 SPS	98FXSZ	8	55	39	40	5,0 x 60		50	1.350
FX 10 SKS	910FXK	10	70	49	50	7,0 x 65		25	675

¹ L_s = Screw length



FX in round box

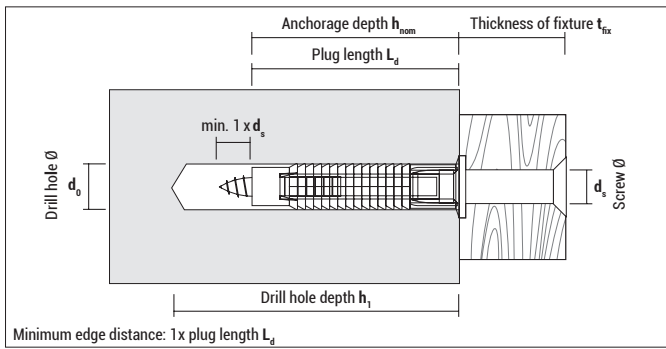
Type	Art-No	d_0 [mm]	$h_1 \geq$ [mm]	$h_{nom} \geq$ [mm]	L_d [mm]	d_s [mm]	€ / box	[pcs]	[boxes]
FX 6	96EXPFx	6	40	29	30	3,5 - 5		300	10
FX 8	98EXPFx	8	55	39	40	4,5 - 6		125	10
FX 10	910EXPFx	10	70	49	50	6 - 8		70	10



FX Round box dispenser (empty); 44 x 56 x 30 cm (W x H x D)

Type	Art-No	€ / pcs	[pcs]
FXcover for round box dispenser	CARTELAFX	on request	1
Round box dispenser	010507411	on request	1
Hook for dispenser	010507441	on request	1

Plug FX



Blister FX without screw

Type	Art-No	d_0 [mm]	$h_1 \geq$ [mm]	$h_{nom} \geq$ [mm]	L_d [mm]	d_s [mm]	€ / Blister	[pcs]	[Blister]
FX 5	55FX50	5	35	24	25	2,5 - 4		50	10
FX 6	56FX30	6	40	29	30	3,5 - 5		30	10
FX 8	58FX20	8	55	39	40	4,5 - 6		20	10
FX 10	510FX10	10	70	49	50	6 - 8		10	10
FX 12	512FX6	12	80	59	60	8 - 10		6	10



Blister FX incl. PZ chipboard screw (FX 5, 6 and 8) respectively hex-head wood screw (FX 10 and 12)

Type	Art-No	d_0 [mm]	$h_1 \geq$ [mm]	$h_{nom} \geq$ [mm]	L_d [mm]	$d_s \times L_s$ [mm]	Type of screw	€ / Blister	[pcs]	[Blister]
FX 5 SPS	55FXSZ20	5	35	24	25	3,5 x 35			20	10
FX 6 SPS	56FXSZ15	6	40	29	30	4,5 x 45			15	10
FX 8 SPS	58FXSZ10	8	55	39	40	5,0 x 60			10	10
FX 10 SKS	510FXK5	10	70	49	50	7,0 x 65			5	10
FX 12 SKS	512FXK2	12	80	59	60	8,0 x 80			2	10

Recommended loads F_{rec} using wood screws with the largest applicable screw diameter and full anchorage depth

Type	Screw \varnothing d_s [mm]	Concrete F_{rec} [kN]	Solid stone Mz 12 F_{rec} [kN]	Solid sand- lime brick KS 12 F_{rec} [kN]	Aerated concrete AAC2 F_{rec} [kN]	Aerated concrete AAC4 F_{rec} [kN]	Hollow brick HLz 12 F_{rec} [kN]	Hollow sand- lime brick KSL 12 F_{rec} [kN]
FX 5	4	0,20	0,21	0,21	0,03	0,05	0,15	0,23
FX 6	5	0,47	0,42	0,42	0,05	0,10	0,20	0,39
FX 8	6	0,52	0,50	0,50	0,10	0,14	0,23	0,60
FX 10	8	1,28	0,90	0,90	0,16	0,30	0,45	0,67
FX 12	10	1,91	1,10	1,10	0,28	0,40	0,50	0,74

F_{rec} : Recommended loads incl. safety factor of 7

Values must be reduced by ca. 40% when using chipboard screws (especially in solid building materials)